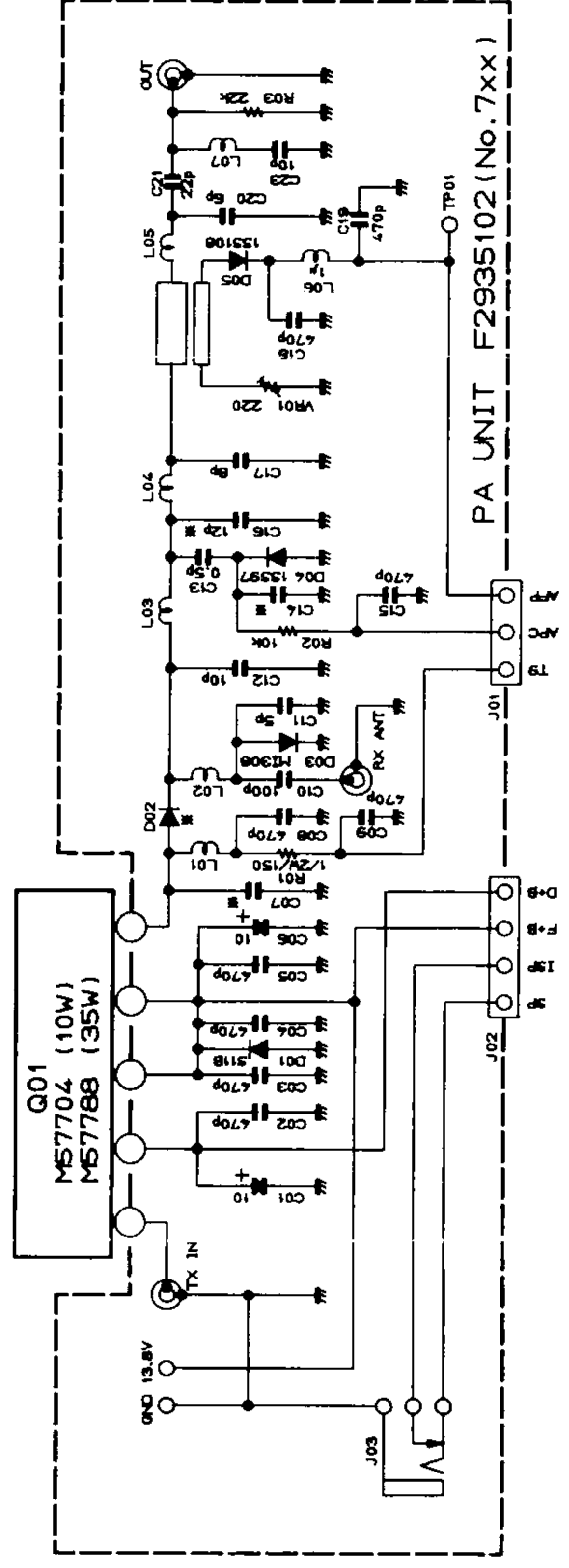
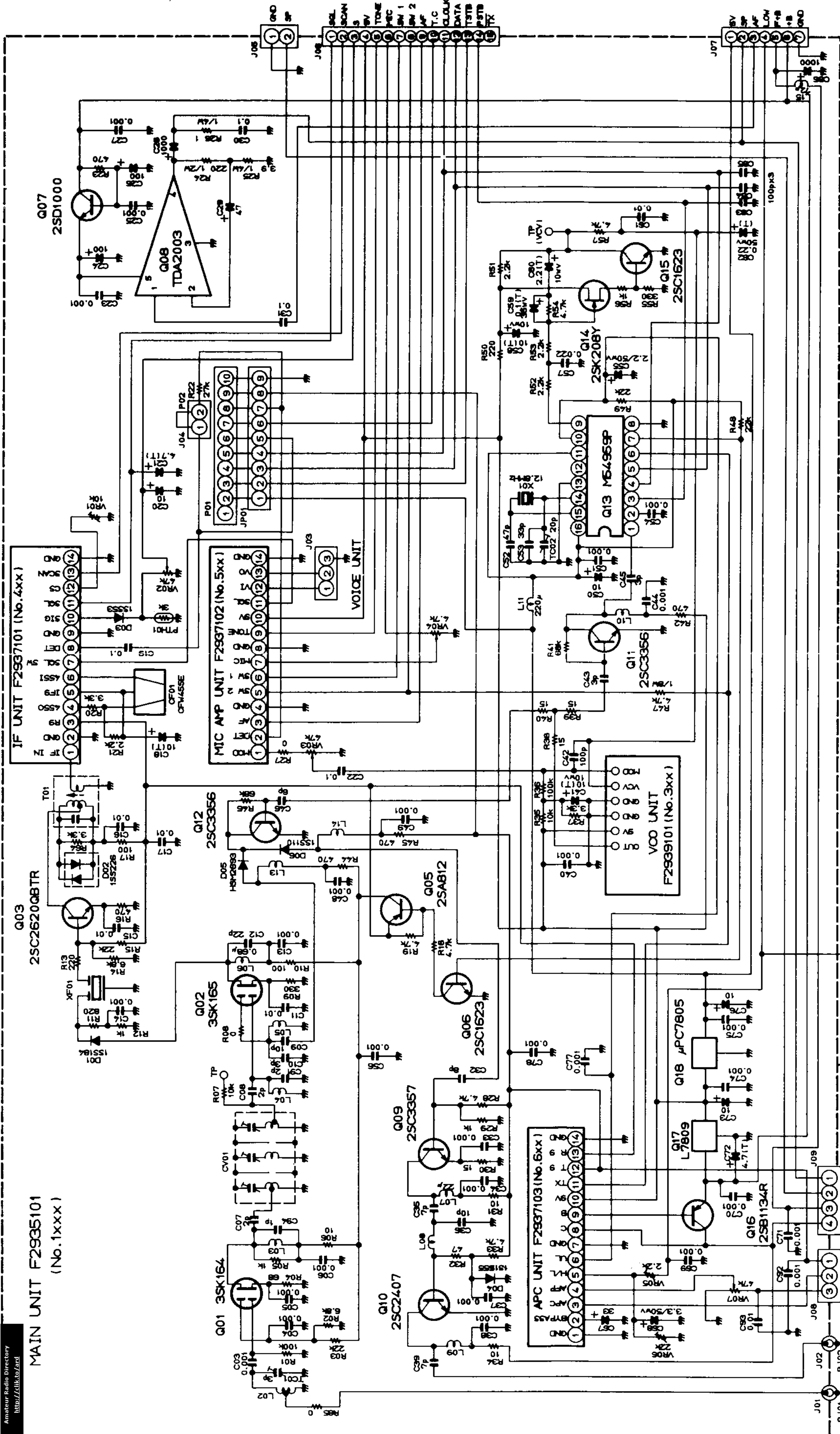


**MAIN UNIT F2935101**  
(No. 1xxx)

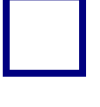


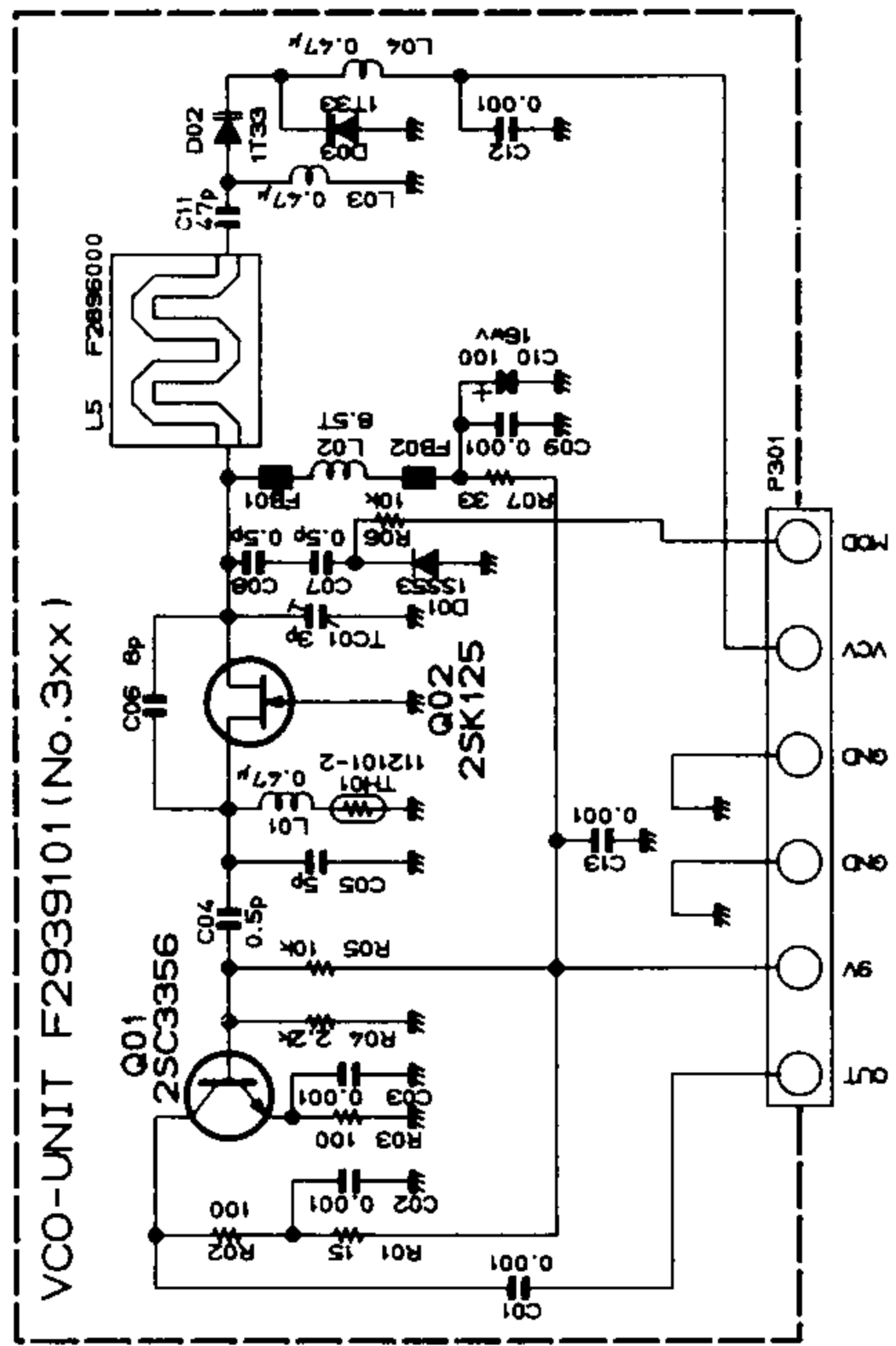
RESISTOR VALUES ARE IN Ω, 1/10Ω;  
CAPACITOR VALUES ARE IN µF, 50µV;  
UNLESS OTHERWISE NOTED,  
(T) CAPACITOR ARE TANTALUM.

Q01	D02	C07	C14	C18
35W M57788-1	LY90401	5p	2p	GEORGIC
10W M57704H	1E407	2p		IGIP GEORGIC

RESISTOR VALUES ARE IN Ω, 1/10Ω;  
CAPACITOR VALUES ARE IN µF, 50µV;  
INDUCTOR VALUES ARE IN H;  
ELECTROLYTIC CAPACITOR VALUES ARE IN µF, 10µV;  
UNLESS OTHERWISE NOTED.

**FT-712 Circuit Diagram**

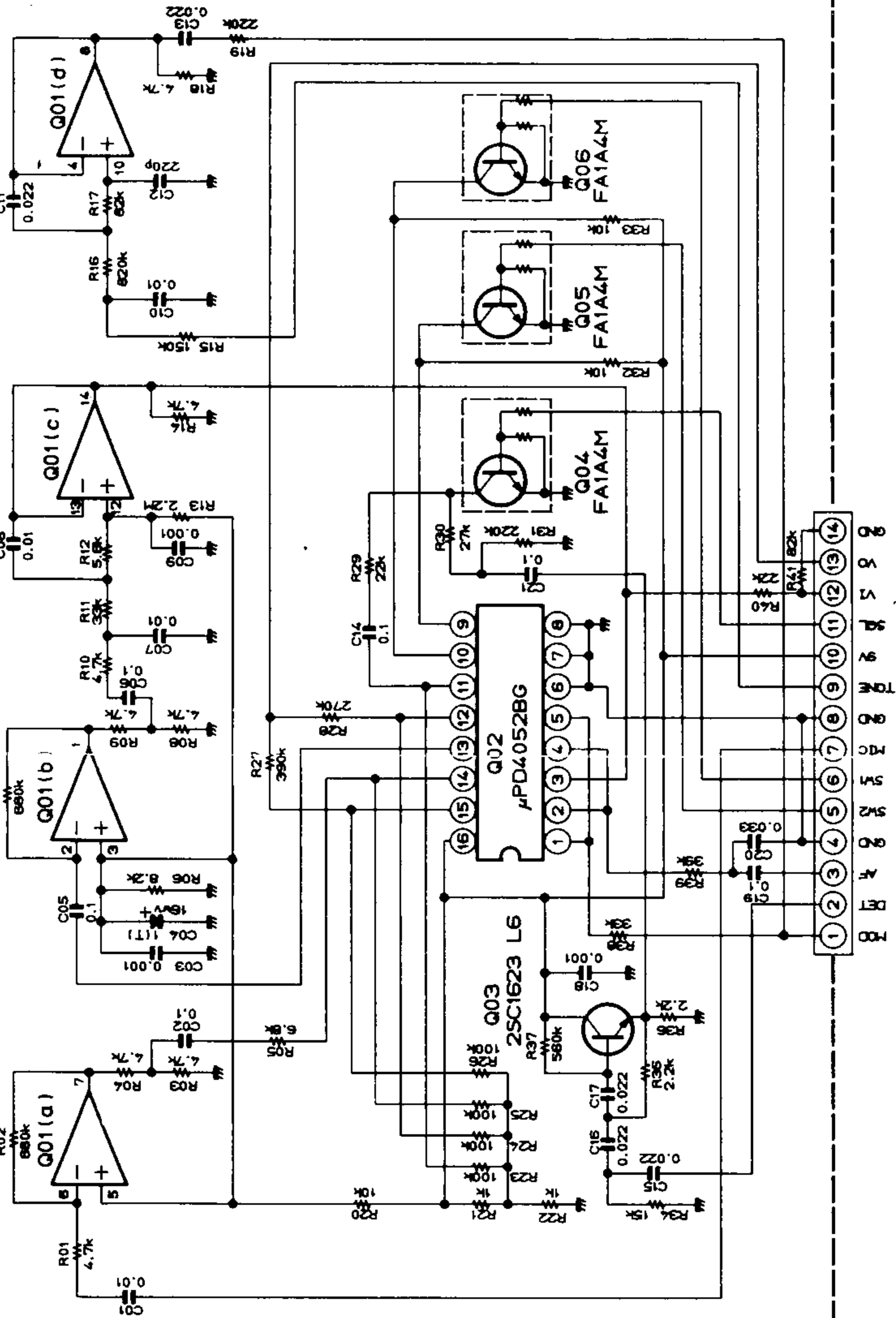
Downloaded by    
 Amateur Radio Directory



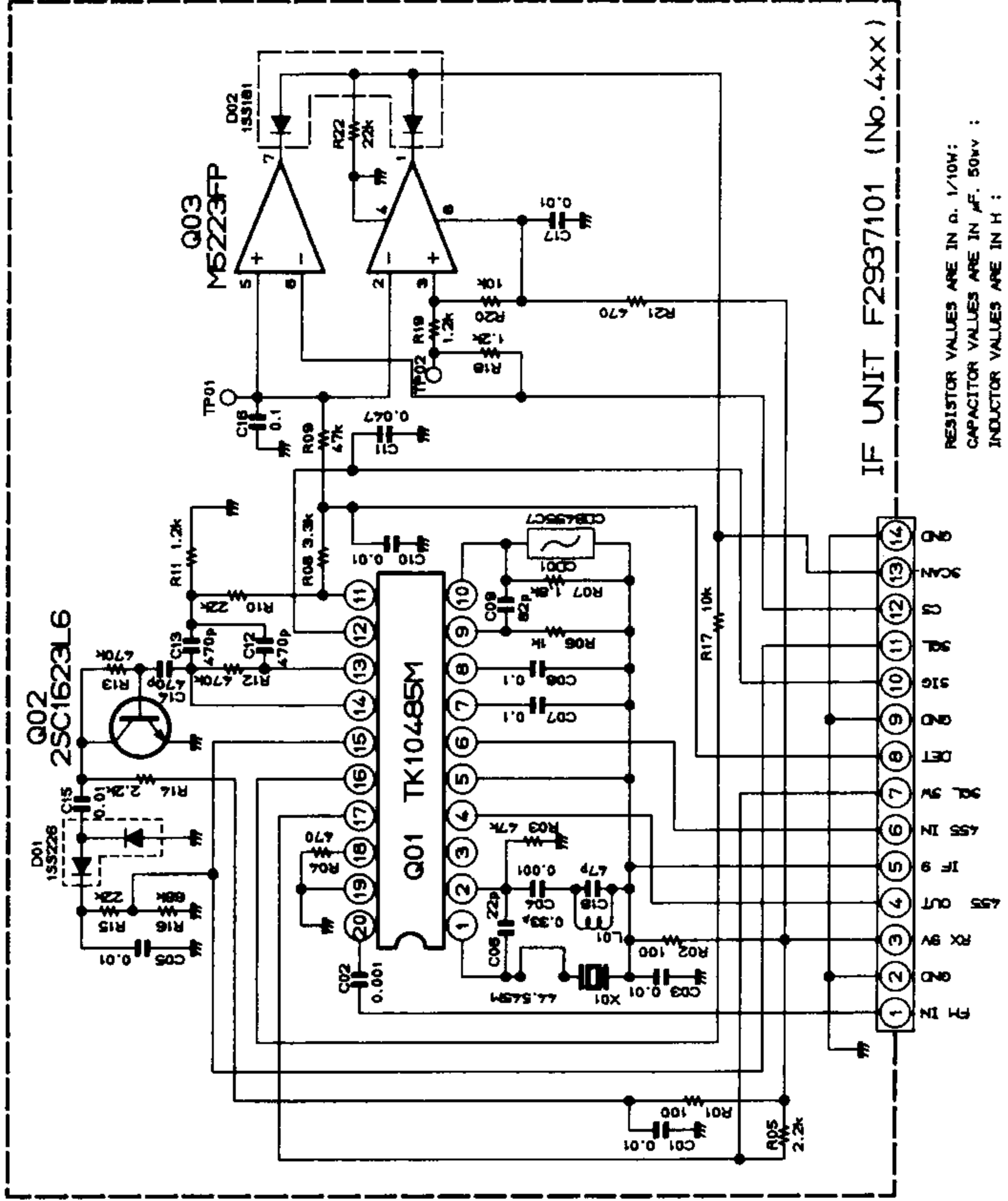
RESISTOR VALUES ARE IN Ω, 1/10W;  
CAPACITOR VALUES ARE IN µF, 50V;  
INDUCTOR VALUES ARE IN H;  
UNLESS OTHERWISE NOTED.

Amateur Radio Directory  
<http://www.arrl.org>

MIC UNIT F2937102 (No. 5xx)

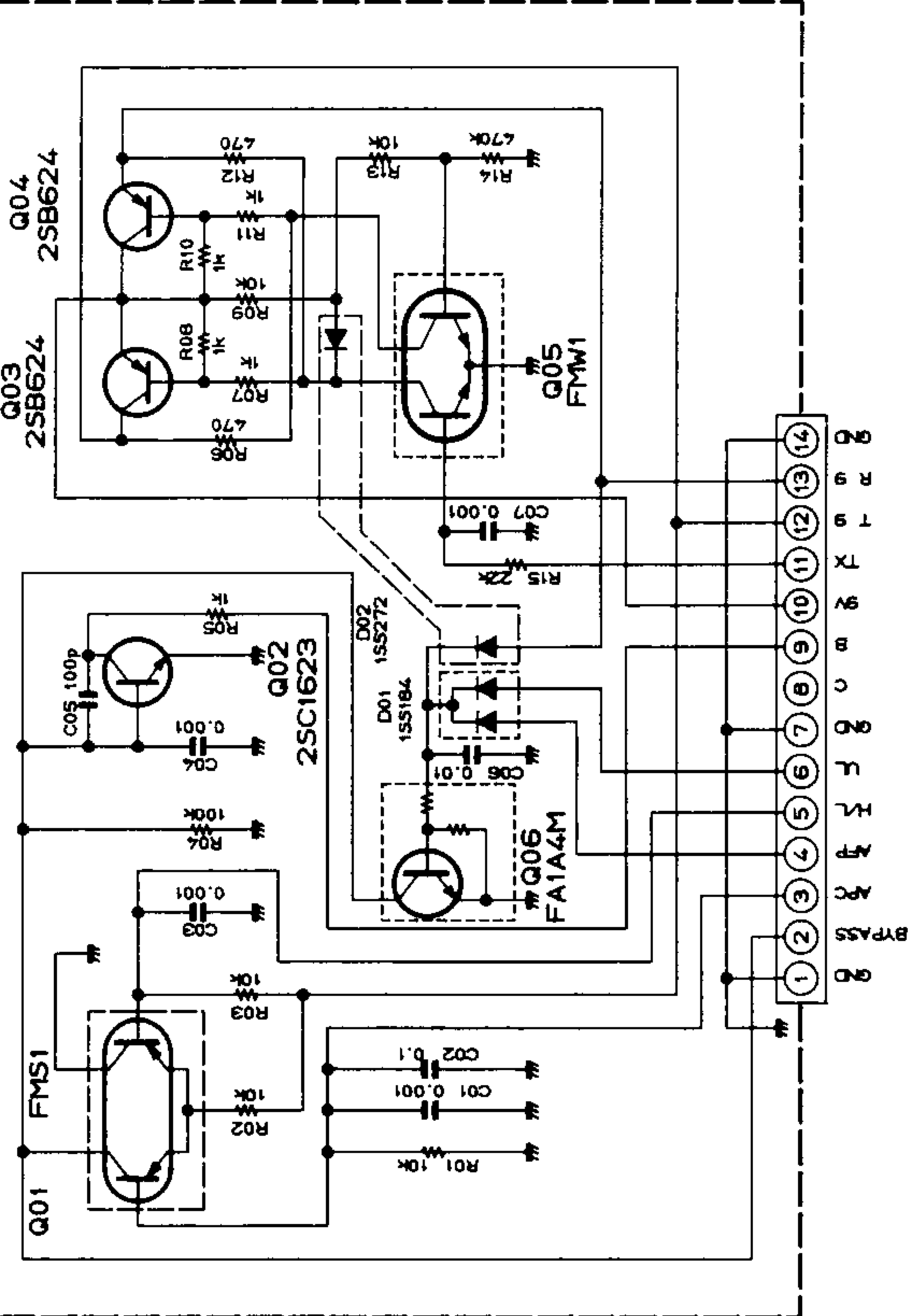


RESISTOR VALUES ARE IN Ω, 1/10W;  
CAPACITOR VALUES ARE IN µF, 50V;  
UNLESS OTHERWISE NOTED.



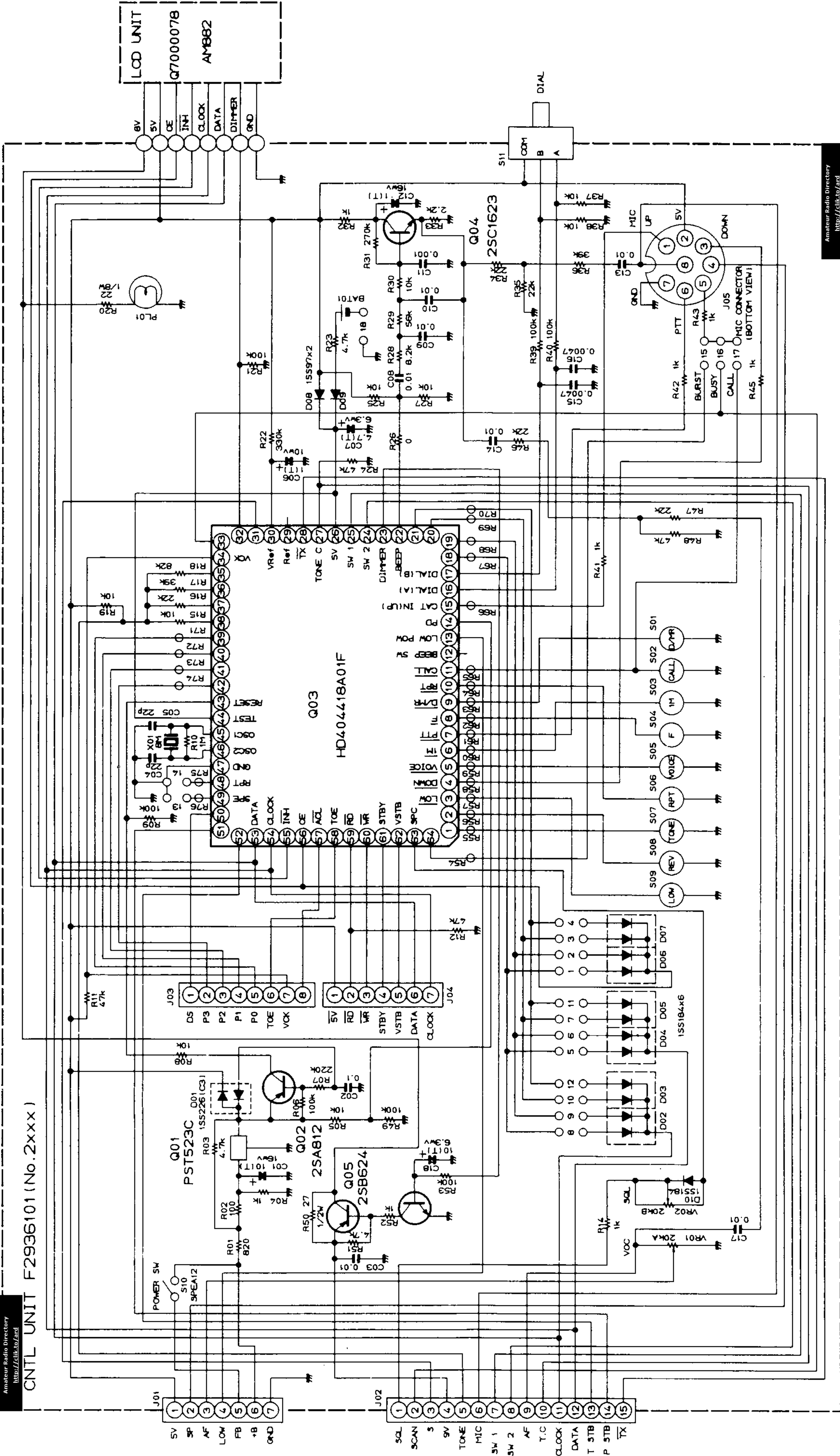
RESISTOR VALUES ARE IN Ω, 1/10W;  
CAPACITOR VALUES ARE IN µF, 50V;  
INDUCTOR VALUES ARE IN H;  
UNLESS OTHERWISE NOTED.

APC UNIT F2937103 (No. 6xx)



RESISTOR VALUES ARE IN Ω, 1/10W;  
CAPACITOR VALUES ARE IN µF, 50V;  
UNLESS OTHERWISE NOTED.

CNTL UNIT F2936101 (No. 2xxx)



RESISTOR VALUES ARE IN  $\Omega$ , 1/10W;  
CAPACITOR VALUES ARE IN  $\mu$ F, 50V;  
UNLESS OTHERWISE NOTED,  
(T)CAPACITORS ARE TANTALUM.

R54, R58, R61, R65, R66: 22k $\Omega$   
R55-R57 }  
R59, R60 } 150k $\Omega$   
R62-R64 }  
R67-R76 }  
R44: OUT OF USE