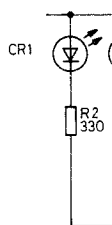
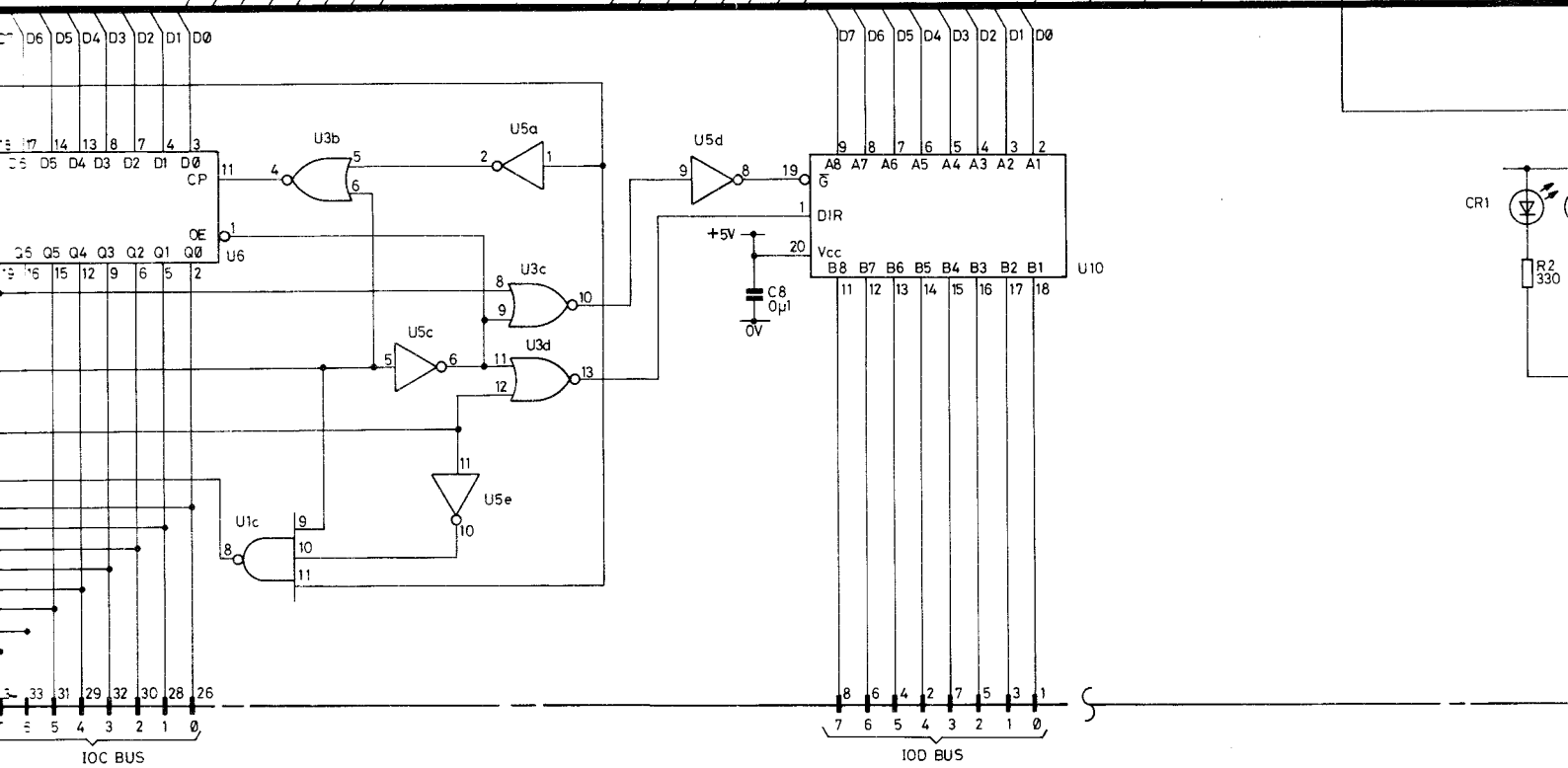
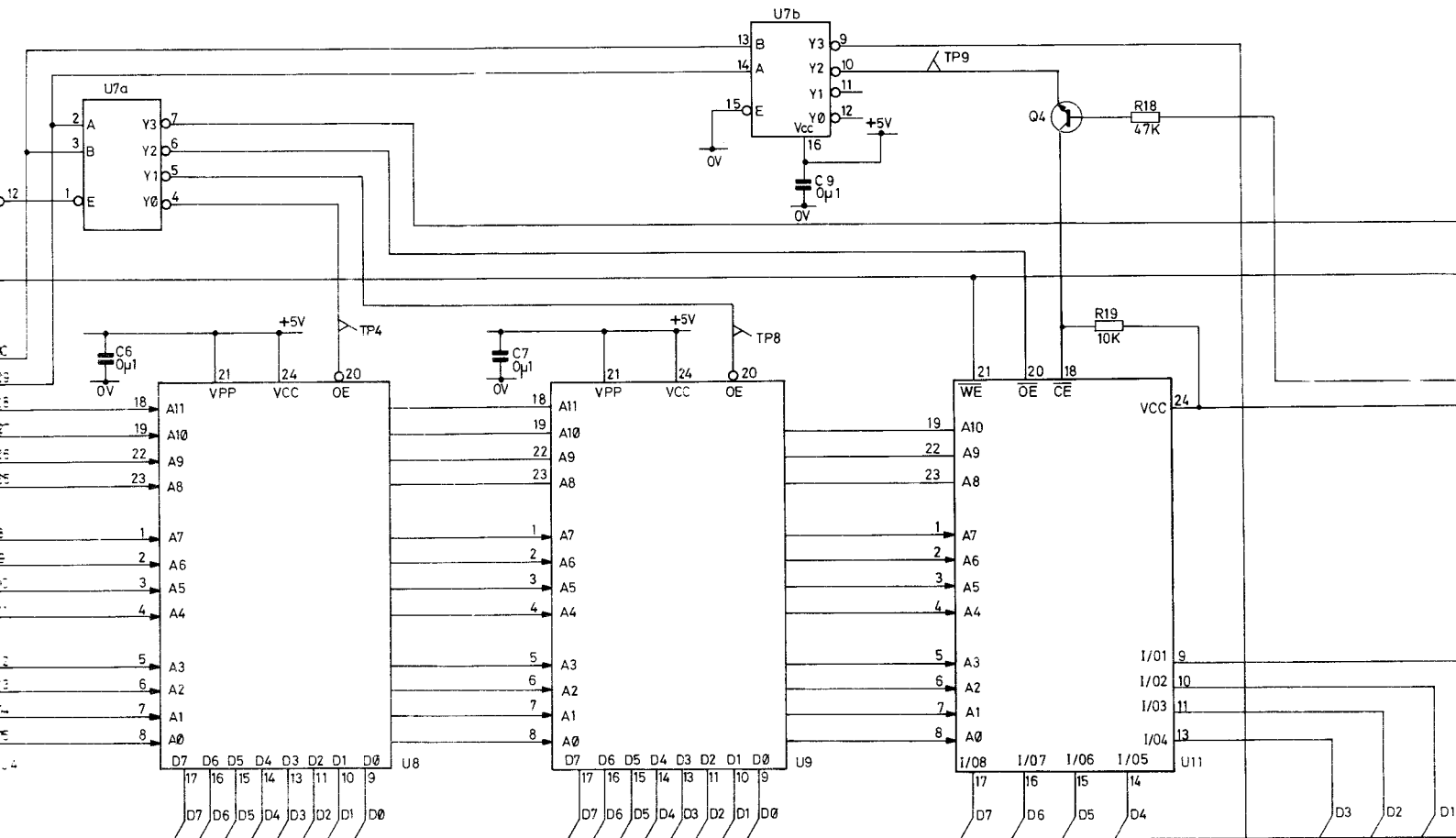
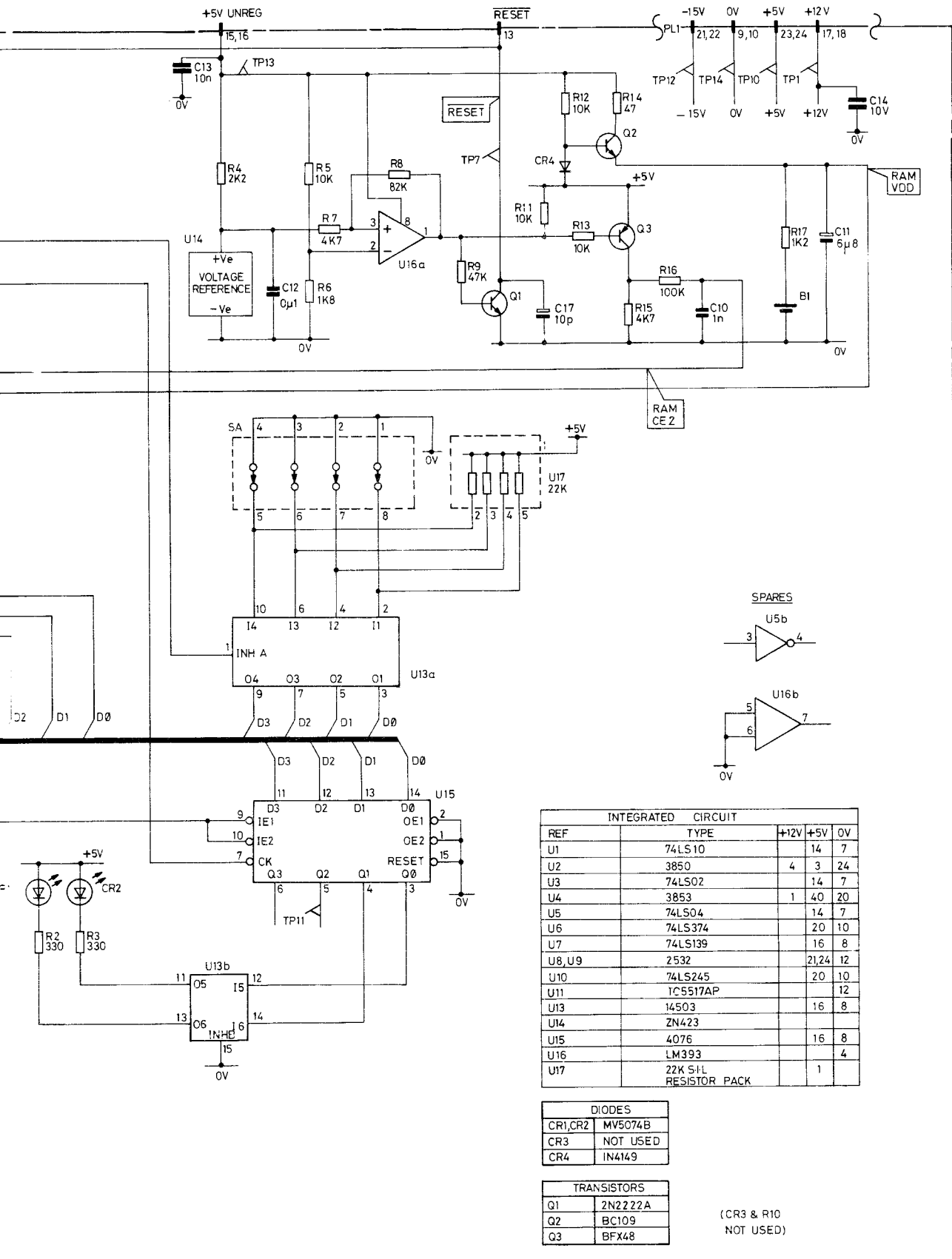


RACAL

| | |
|--------|---------|
| TH1095 | DC82512 |
| 4 | 5 |





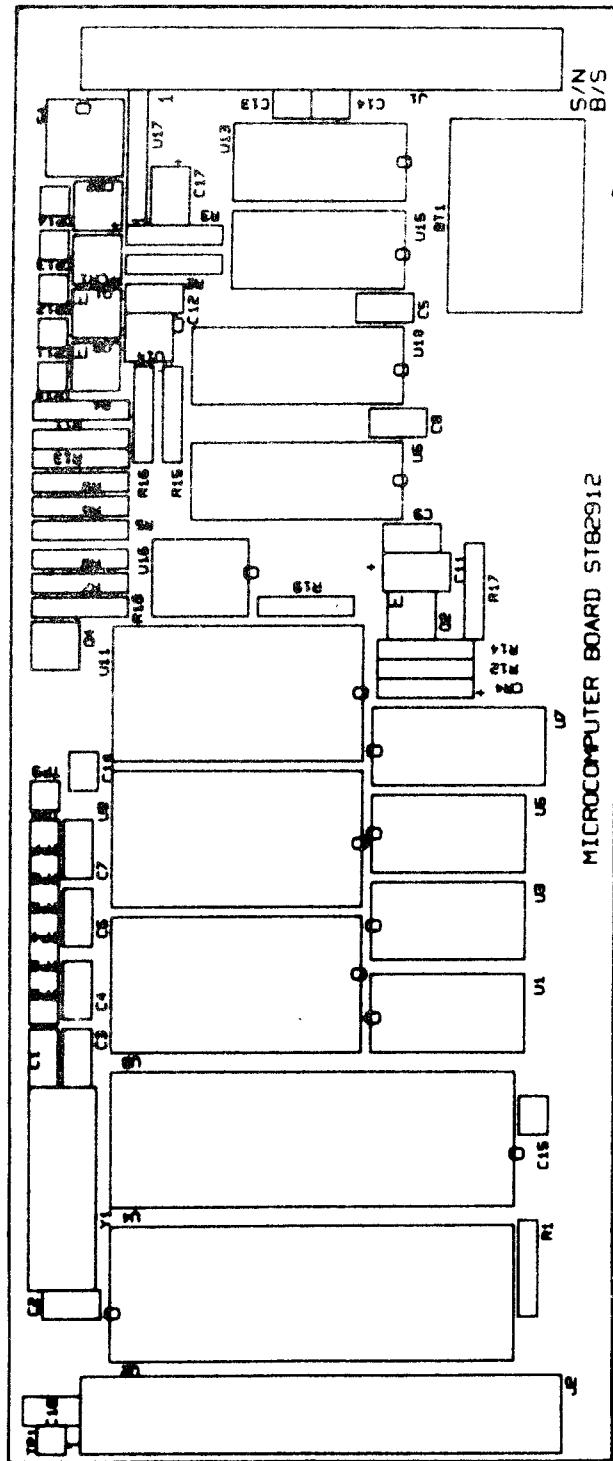
| INTEGRATED CIRCUIT | | | |
|--------------------|-----------------------|-------|--------|
| REF | TYPE | +12V | +5V 0V |
| U1 | 74LS10 | 14 | 7 |
| U2 | 3850 | 4 | 3 24 |
| U3 | 74LS02 | 14 | 7 |
| U4 | 3853 | 1 | 40 20 |
| U5 | 74LS04 | 14 | 7 |
| U6 | 74LS374 | 20 | 10 |
| U7 | 74LS139 | 16 | 8 |
| U8,U9 | 2532 | 21,24 | 12 |
| U10 | 74LS245 | 20 | 10 |
| U11 | 7C5517AP | | 12 |
| U13 | 14503 | 16 | 8 |
| U14 | ZN423 | | |
| U15 | 4076 | 16 | 8 |
| U16 | LM393 | | 4 |
| U17 | 22K S-L RESISTOR PACK | | 1 |

| DIODES | |
|---------|----------|
| CR1,CR2 | MV5074B |
| CR3 | NOT USED |
| CR4 | IN4149 |

| TRANSISTORS | |
|-------------|---------|
| Q1 | 2N2222A |
| Q2 | BC109 |
| Q3 | BFX48 |

(CR3 & R10 NOT USED)

Circuit: Microcomputer Board A6 A2 Fig.6.2



RACAL

| | |
|--------|---------|
| TH1496 | DA82911 |
| 2 | 5 |

Component Layout
Microcomputer Board A6A2

Fig. 6.3