

Figure 1.

The RA series dual concentric attenuators furnish high dynamic range and small step size in a single, ruggedized assembly. The outer control ring steps either in 1 dB or 10 dB increments while the inner knob clicks in either 0.1 dB or 1 dB steps,

depending on the model selected. The units are ideal for panel, chassis, or bench applications where two or three separate attenuators would be prohibitive due to the available space.

Specifications	RA-54*	RA-74*	RA-534*
Frequency Range	DC-1.5 GHz	DC-1 GHz	DC-0.5 GHz
dB Value	0 to 50 by 1 dB	0 to 50 by 1 dB	0 to 11 by 0.1 dB
Connectors	BNC, N, SMA, TNC	BNC, N, TNC, F	BNC, N, SMA, TNC
Impedance	50 Ohms	75 Ohms	50 Ohms
VSWR	1.2:1 to 0.5 GHz 1.3:1 to 1 GHz 1.5:1 to 1.5 GHz	1.2:1 to 0.5 GHz 1.3:1 to 1 GHz	1.15:1 to 0.5 GHz
Accuracy	±0.2 dB to 0.03 GHz ±0.3 dB to 0.5 GHz ±0.4 dB to 1 GHz (0 to 10 dB) ±1 dB to 1 GHz (11 to 50 dB) ±0.6 dB to 1.5 GHz (0 to 10 dB) ±1.5 dB to 1.5 GHz (11 to 50 dB)	±0.2 dB to 0.03 GHz ±0.3 dB to 0.5 GHz ±0.4 dB to 1 GHz (0 to 10 dB) ±1 dB to 1 GHz (11 to 50 dB)	±0.02 dB to 0.03 GHz (0 to 1 dB) ±0.1 dB to 0.03 GHz (1 to 11 dB) ±0.03 dB to 0.5 GHz (0 to 1 dB) ±0.2 dB to 0.5 GHz (1 to 11 dB)
Insertion Loss	0.3 dB max. to 1 GHz 0.5 dB max. to 1.5 GHz	0.3 dB max. to 1 GHz	0.7 dB max. to 0.5 GHz
Temperature	-20° to +125°C	-20° to +125°C	-20° to +125°C
Average Power	0.5 Watt (25°C)	0.5 Watt (25°C)	0.5 Watt (25°C)
Peak Power	750 Watts, 3μSec. pulse	750 Watts, 3μSec. pulse	750 Watts, 3μSec. pulse
Rotation	30 degrees (0 to 10 dB); 60 degrees (10 to 40 dB)	30 degrees (0 to 10 dB); 60 degrees (10 to 40 dB)	30 degrees
Weight	16 ounces	16 ounces	16 ounces
Housing	Irridited Aluminum	Irridited Aluminum	Irridited Aluminum
Dimensions	See Figure 1	See Figure 1	See Figure 1

RA-54/74, -104, -534/1734

Connector	X
BNC	2.59
N	2.81
SMA	2.18
TNC	2.59

RA-5037

Connector	X
BNC	2.41
SMA	2.00

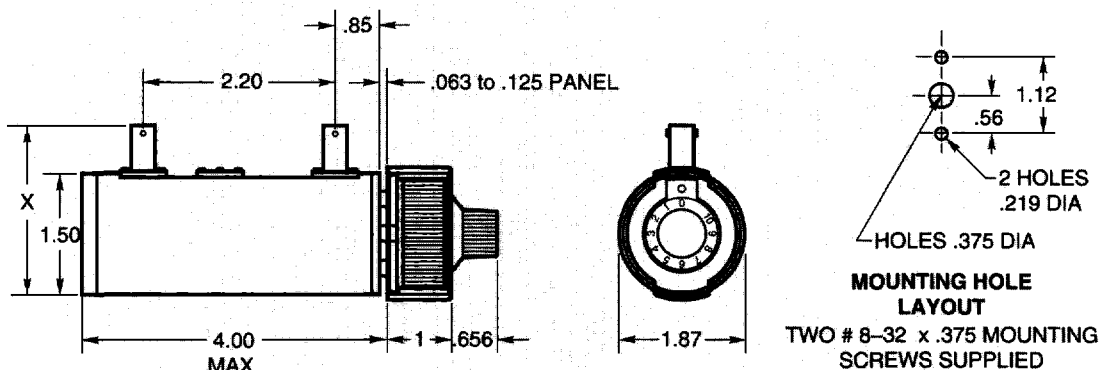


Figure 2.

Trilithic's RA-1734 dual concentric step attenuator operates from DC to 1 GHz. This precision attenuator has an attenuation range of 0 to 11 dB in 0.1 dB steps. The RA-1734 is available with BNC or F type connectors.

Specifications	RA-1734	RA-5037*	RA-104*
Frequency Range	DC-1 GHz	DC-1.3 GHz	DC-1 GHz
dB Value	0 to 11 by 0.1 dB	0 to 60 by 1 dB	0 to 110 by 1 dB
Connectors	BNC and F	BNC, N, SMA, TNC	BNC, N, SMA, TNC
Impedance	75 Ohms	50 Ohms	50 Ohms
VSWR	1.5:1 to 1GHz	1.2:1 to 0.5 GHz 1.3:1 to 1 GHz 1.5:1 to 1.3 GHz	1.3:1 to 1 GHz
Accuracy	±0.02 dB DC-0.1 GHz (0 to 1 dB) ±0.05 dB 0.1-1 GHz (0 to 1 dB) ±0.05 dB DC-0.1 GHz (1 to 11 dB) ±0.3 dB 0.1-1 GHz (1 to 11 dB)	±0.1 dB to 0.03 GHz (0 to 9 dB) ±0.3 dB to 0.03 GHz (10 to 49 dB) ±0.9 dB to 0.03 GHz (50 to 60 dB) ±0.2 dB to 0.5 GHz (0 to 9 dB) ±0.5 dB to 0.5 GHz (10 to 49 dB) ±1.2 dB to 0.5 GHz (50 to 60 dB) ±0.3 dB to 1 GHz (0 to 9 dB) ±0.8 dB to 1 GHz (10 to 49 dB) ±1.3 dB to 1 GHz (50 to 60 dB) ±0.4 dB to 1.3 GHz (0 to 9 dB) ±1.4 dB to 1.3 GHz (10 to 60 dB)	±0.1 dB to 0.03 GHz (0 to 10 dB) ±1% to 0.03 GHz (11 to 110 dB) ±0.3 dB to 0.5 GHz (0 to 10 dB) ±2% to 0.5 GHz (11 to 110 dB) ±0.4 dB to 1 GHz (0 to 10 dB) ±3% to 1 GHz (11 to 110 dB)
Insertion Loss	0.5 dB to 0.5 GHz 1.0 dB to 1 GHz	0.3 dB max. to 0.5 GHz 0.5 dB max. to 1.3 GHz	0.2 dB max. to 0.5 GHz 0.5 dB max. to 1 GHz
Temperature	-20° to +125°C	-20° to +125°C	-20° to +125°C
Average Power	.5 Watt (25°C)	0.5 Watt (25°C)	0.5 Watt (25°C)
Peak Power	750 Watts, 3μSec. pulse	750 Watts, 3μSec. pulse	750 Watts, 3μSec. pulse
Rotation	30 degrees	30 degrees (0 to 10 dB); 60 degrees (10 to 50 dB)	30 degrees
Weight	16 ounces	10 ounces	20 ounces
Housing	Irridited Aluminum	Irridited Aluminum	Irridited Aluminum
Dimensions	See Figure 1	See Figure 2	See Figure 1

* Connector types should be included in model number.

Example: RA-54 N

Note: Specifications valid through rated frequency range of each model.