

SPO 2 m Series 5 dBi

Sirio Professional Omni

VHF Base Station Antennas 135-175 MHz

DESCRIPTION: New series of **wide band** omnidirectional base station antennas for VHF band suitable for marine service too. The fiberglass protection radome and the anodized aluminium parts guarantee robustness and long life to all the SPO-antennas series. They are supplied with two strong extruded aluminium brackets and stainless steel hardware for a good installation on the mast.

Electrical Data

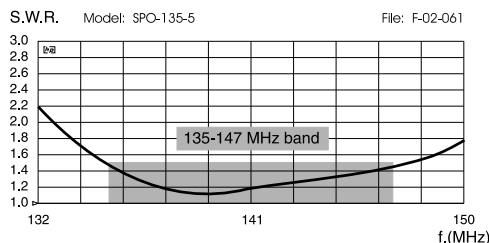
Model	SPO 135-5	SPO 145-5	SPO 150-5	SPO 158-5
Type	Colinear			
Frequency Range	135-147 MHz @ SWR < 1.5	145-160 MHz @ SWR < 1.5	150-165 MHz @ SWR < 1.5	158-175 MHz @ SWR < 1.5
Impedance	50 Ω			
Radiation (H-plane)	360° Omnidirectional			
Radiation (E-plane)	Beamwidth @ -3dB = 40°			
Radiation angle deg.	0°			
Polarization	Linear Vertical			
Gain	3 dBd - 5.15 dBi			
Max Power	100 Watts (CW) @ 30°C ambient			
Grounding Protection	All metal parts are DC-grounded, inner conductor shows a DC short			
Connector	N-female, with rubber protection cap			

Mechanical Data

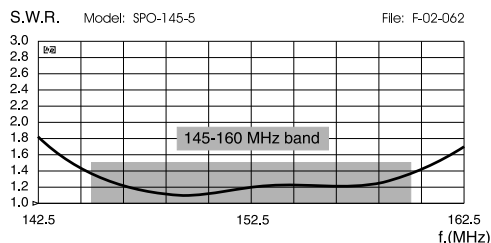
Materials	White fiberglass radome Ø 28.6 mm, anodized 6063-T5 aluminium, brass, stainless steel, copper, expanded poliester disc, EPDM rubber.			
Wind Load at 150 km/h	104 N	98 N	98 N	93 N
Wind Resistance	160 Km/h			
Wind Surface	0.089 m ²	0.083 m ²	0.083 m ²	0.078 m ²
Operatin temperature	-40°C to + 80°C			
Height (approx.)	2940 mm	2740 mm	2740 mm	2590 mm
Weight (approx.)	2160 gr	2045 gr	2000 gr	1950 gr
Mounting Mast	Side mast with "V" bolt, Ø 35-54 mm			



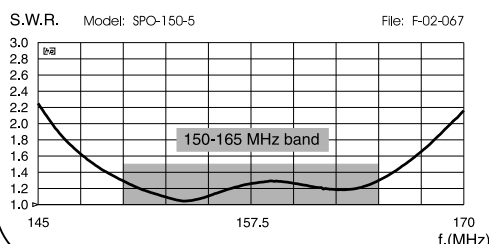
TYPICAL S.W.R. RESPONSE



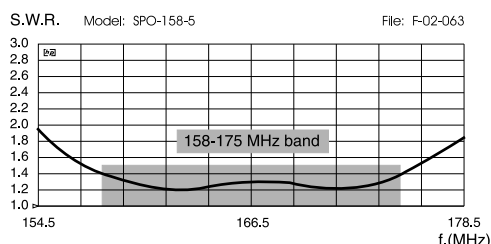
TYPICAL S.W.R. RESPONSE



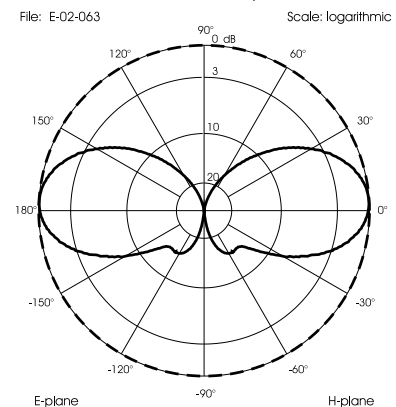
TYPICAL S.W.R. RESPONSE



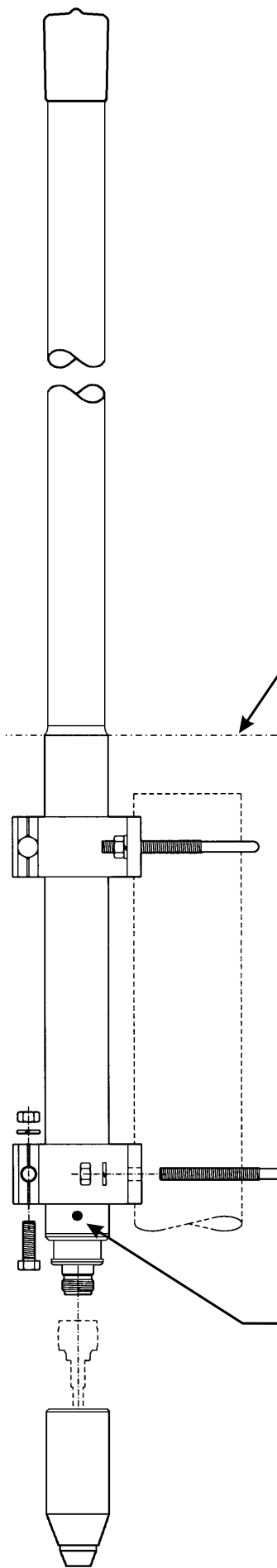
TYPICAL S.W.R. RESPONSE



TYPICAL RADIATION PATTERN in E-plane at mid-band



MOUNTING INSTRUCTIONS



ATTENTION!
The mounting mast does not have to be higher of the aluminium tube

ATTENTION!
Leave the drainage hole uncovered

Fixing bracket:



Fixing bracket part list

Q.ty	Description
2	Extruded aluminium bracket
2	M6x188 V-bolt
2	M6x20 Exagonal head screw
6	M6 Spring lock washer
6	M6 Hexagonal nut
Materials:	extruded aluminum
Hardware:	stainless steel
Dimensions :	80 x 76 x 25 mm
Weight:	220 g
Re-order code: SA104	

Connector protection cap
Re-order code: TE06416

